

The Manufacturer of Professional Speaker

FERRITE

DRIVER

HB642

- 120 Watt Max Power
- 1.5 inch throat exit
- 63.5mm (2.5 inch) voice coil
- 1KHz to 18KHz frequency response
- 107dB 1W@1m sensitivity
- Ferrite magnet structure

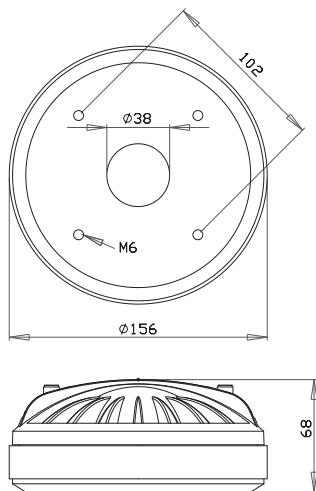


Specifications

Model		HB640-8	HB640-16
Throat diameter	mm/in	38/1.5	
Power handling capacity	W	60	
Max power	W	120	
Nominal impedance	Ohm	8	16
Sensitivity (1W/1m)	dB	107	
Frequency range	Hz	1K-18K	
Voice coil diameter	mm/in	63.5/2.5	
Re	Ohm	5.5	11
Flux density	T	1.8	
Diaphragm		PEEK	
Voice coil		Copper Clad Aluminium	
Magnet material		Ceramic	
Bolt circle diamete	mm	4xM6 holes 90° on 102	
Overall diameter	mm	156	
Overall depth	mm	68	
Net weight	Kg	3.9	

- AES power is measured with 6dB crest factor continuous pink noise in 2 hours duration.
- Max power is defined as 3dB higher than the nominal rating.
- Sensitivity is measured at one meter at 2.83V and 8 ohm nominal impedance.
- Sensitivity is measured at one meter at 4V and 16 ohm nominal impedance.

Dimension Drawings



Frequency Response and Impedance Magnitude Curve

