

The Manufacturer of Professional Speaker

FERRITE

DRIVER

H340A

- 60 Watt Max Power
- 1 inch throat exit
- 34.4mm(1.35inch) voice coil
- 1.8KHz to 20KHz frequency response
- 105dB 1W@1m sensitivity
- Ferrite magnet structure

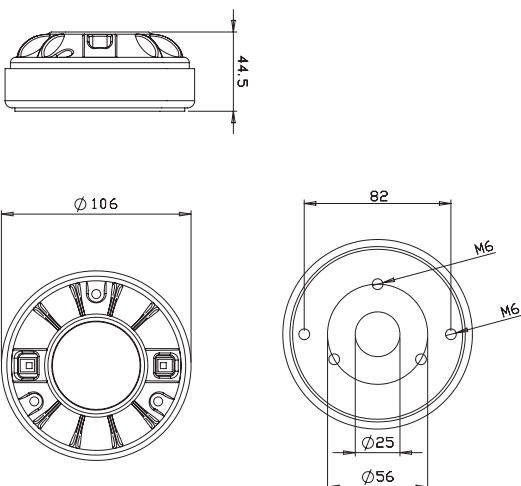


Specifications

Model	H340A	
Throat diameter	mm/in	25/1
Power handling capacity	W	30
Max power	W	60
Nominal impedance	Ohm	8
Sensitivity (1W/1m)	dB	105
Frequency range	Hz	1.8K-20K
Voice coil diameter	mm/in	34.4
Re	Ohm	5.5
Flux density	T	1.4
Diaphragm		Titanim
Voice coil		Copper Clad Aluminium
Magnet material		Ferrite
Bolt circle diamete	mm	2XM6 on 82
Overall diameter	mm	106
Overall depth	mm	44.5
Net weight	Kg	1.4

- AES power is measured with 6dB crest factor continuous pink noise in 2 hours duration.
- Max power is defined as 3dB higher than the nominal rating.
- Sensitivity is measured at one meter at 2.83V and 8 ohm nominal impedance.
- Sensitivity is measured at one meter at 4V and 16 ohm nominal impedance.

Dimension Drawings



Frequency Response and Impedance Magnitude Curve

