

**NEODYMIUM**  
**DRIVER**



**D34**



**D34M**

## D34/D34M

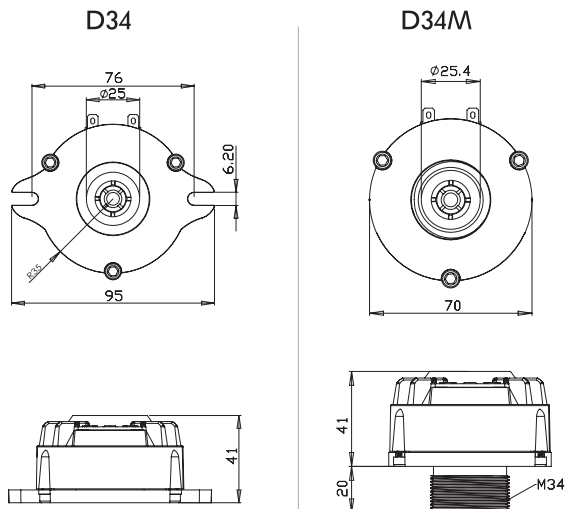
- 60 Watt Max Power •
- 1 inch throat exit •
- 34.4mm(1.35inch) voice coil •
- 1.8KHz to 20KHz frequency response •
- 107dB 1W@1m sensitivity •
- Neodymium magnet structure •

### Specifications

Model		D34	D34M
Throat diameter	mm/in	25/1	25/1
Power handling capacity	W	30	30
Max power	W	60	60
Nominal impedance	Ohm	8	16
Sensitivity (1W/1m)	dB	107	107
Frequency range	Hz	1.8K-20K	1.8K-20K
Voice coil diameter	mm/in	34.4	34.4
Re	Ohm	5.5	12
Flux density	T	1.5	1.5
Diaphragm		Titanium	
Voice coil		Copper Clad Aluminium	
Magnet material		Neodymium	
Bolt circle diamete	mm	2XM6 on 76	M34
Overall diameter	mm	70	70
Overall depth	mm	41	61
Net weight	Kg	0.5	0.5

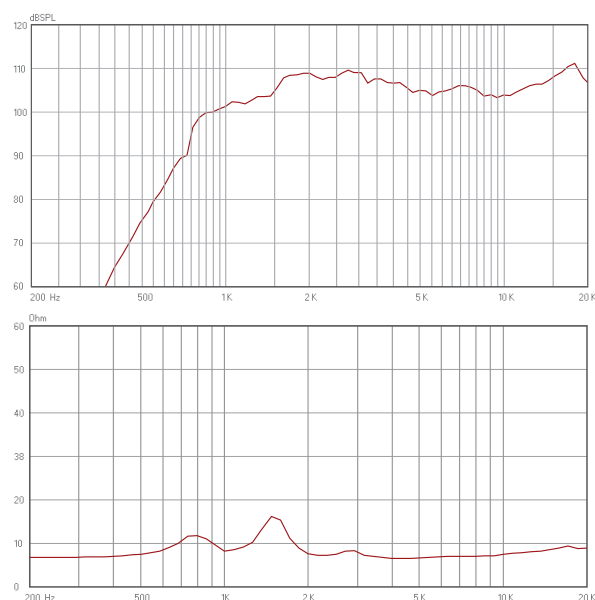
- AES power is measured with 6dB crest factor continuous pink noise in 2 hours duration.
- Max power is defined as 3dB higher than the nominal rating.
- Sensitivity is measured at one meter at 2.83V and 8 ohm nominal impedance.
- Sensitivity is measured at one meter at 4V and 16 ohm nominal impedance.

### Dimension Drawings



### Frequency Response and Impedance Magnitude Curve

**D34**



**D34M**

