



**NEODYMIUM**

**DRIVER**

## DH450

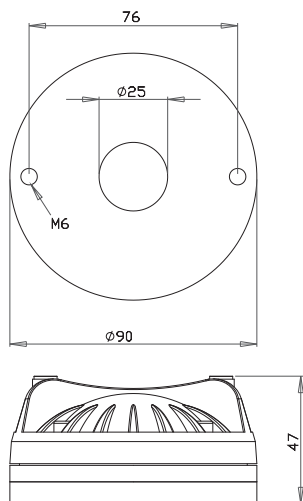
- 90 Watt Max Power •
- 1 inch throat exit •
- 44.4mm (1.75 inch) voice coil •
- 1.5KHz to 20KHz frequency response •
- 106dB 1W@1m sensitivity •
- Neodymium magnet structure •

### Specifications

Model		DH450-8	DH450-16
Throat diameter	mm/in	25/1	
Power handling capacity	W	45	
Max power	W	90	
Nominal impedance	Ohm	8	16
Sensitivity (1W/1m)	dB	106	
Frequency range	Hz	1.5K-20K	
Voice coil diameter	mm/in	44.4/1.75	
Re	Ohm	6	11.5
Flux density	T	2	
Diaphragm		PEEK	
Voice coil		Copper Clad Aluminium	
Magnet material		Neodymium	
Bolt circle diamete	mm	4xM6 holes 180° on 76	
Overall diameter	mm	90	
Overall depth	mm	47	
Net weight	Kg	0.9	

- AES power is measured with 6dB crest factor continuous pink noise in 2 hours duration.
- Max power is defined as 3dB higher than the nominal rating.
- Sensitivity is measured at one meter at 2.83V and 8 ohm nominal impedance.
- Sensitivity is measured at one meter at 4V and 16 ohm nominal impedance.

### Dimension Drawings



### Frequency Response and Impedance Magnitude Curve

