



NEODYMIUM
COAXIAL

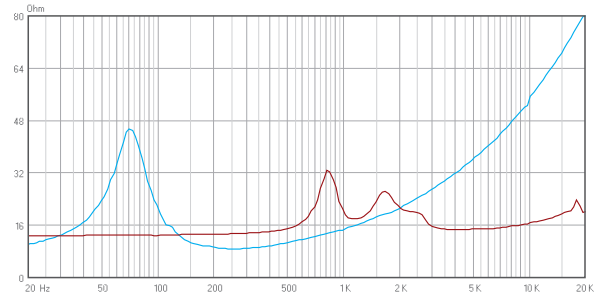
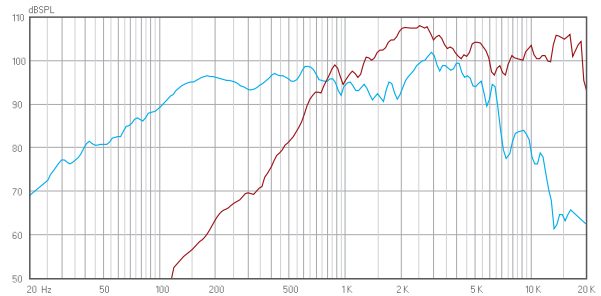
CD10E450

- Point source coaxial design
- 600 Watt Max Power
- 70Hz to 18KHz frequency response
- 97dB 1W@1m sensitivity
- Neodymium magnet structure

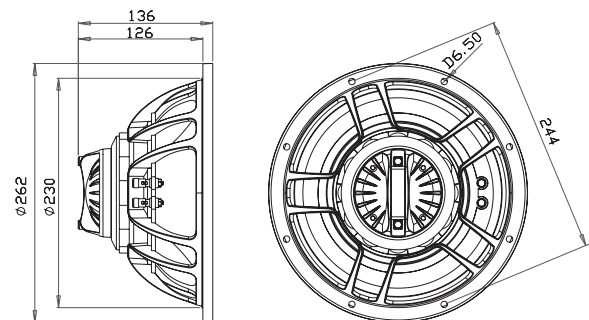
Specifications

Model		CD10E450
Nominal diameter	in.	10
Power handling capacity	W(AEC)	300
Max power	Watts	600
Nominal impedance	LF/HF Ω	8/16
Frequency range	Hz	70-20K
Sensitivity (1W/1m)	dB	97
Voice coil diameter	mm/in	63.5/2.5
Fs	Hz	70
Re	Ω	6
Qms		2.47
Qes		0.39
Qts		0.34
Vas	L	28
Mms	gr	32
Cms	mm/N	0.16
BL	Tm	14.5
Xmax	mm	3.9
Throat diameter	mm/in.	25/1
Power handling capacity	W(AES)	45
Nominal impedance	Ω	16
Sensitivity (2.83V/1m)	dB	102
Frequency range	Hz	1.5K-20K
Voice coil diameter	mm/in	44.4/1.75
Re	Ω	12
Overall diameter	mm	262
Bolt circle diameter	mm	244
Baffle cut-out diameter	mm	230
Overall depth	mm	136
Net weight	Kg	2.8

Frequency Response and Impedance Magnitude Curve



Dimension Drawings



- AES power is measured with 6dB crest factor continuous pink noise in 2 hours duration.
- Max power is defined as 3dB higher than the nominal rating.
- Sensitivity is measured at one meter at 2.83V and 8 ohm nominal impedance.
- All measurement of the speaker is done after a sufficient high level of 20Hz sine wave test.
- Xmas is defined at the BL drops by 18% of the original figure.